

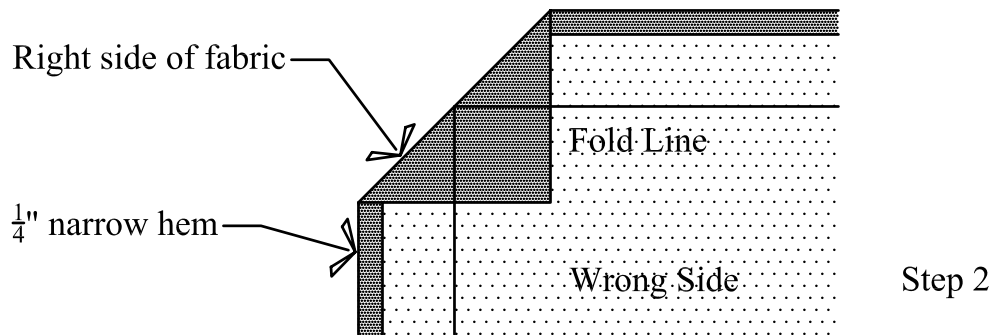


# Hip Line Media

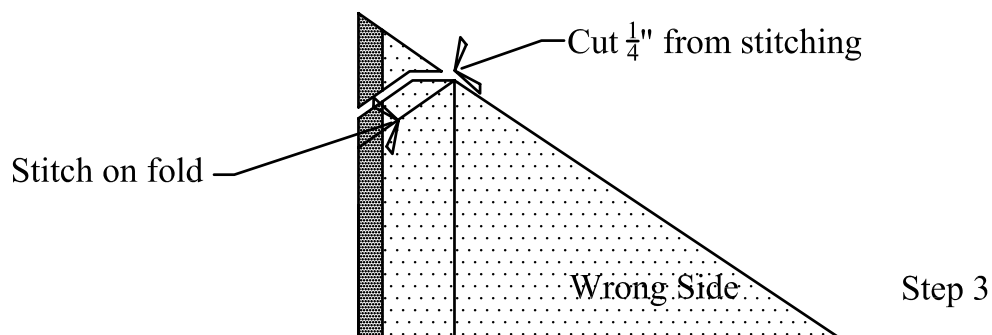
## Mitered Corners

Mitering corners are easy once you get the hang of it. Watch it on the video, it's much easier to follow along with! After you've turned under your  $\frac{1}{4}$ " raw edge, follow these simple steps for professional results:

1. Fold up the amount of your remaining hem. Press well and open out. Do this on all four sides.
2. Fold the first corner in diagonally to the wrong side of the fabric so the pressed lines match. Press in place.



3. Open out the corner and refold the corner right sides together so that the corner is folded in half and the edges line up. Pin on the diagonal fold line, edges even and stitch on the fold line. Trim the seam allowance and clip the corner.

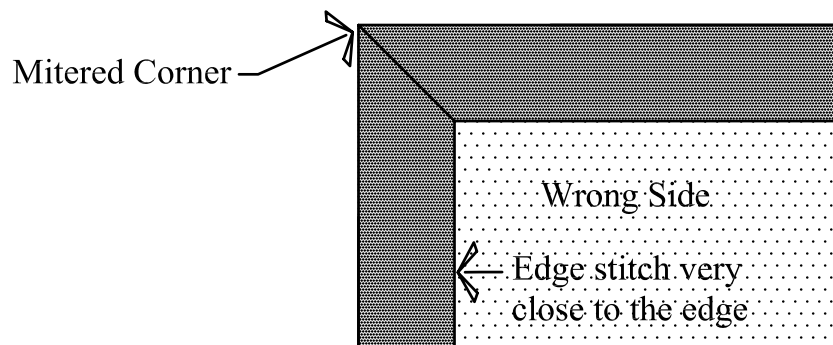




# *Hip Line Media*

## Mitered Corners

4. Press the seam open and turn the corner right side out with a point turner. Press flat.
5. When all four corners are mitered, press well and edge stitch into place.



Step 4 & 5